

TIMKEN**The Timken Company**

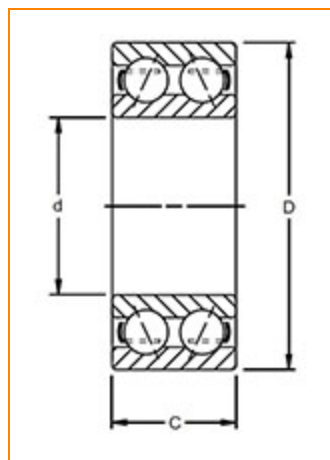
4500 Mt Pleasant St. NW

N. Canton, OH 44720

Phone: (234) 262-3000

E-Mail: CustomerCAD@timken.com • Web site: www.timken.com

Part Number 3207 AJ/ZZ, Timken® Double Row Angular Contact Ball Bearings (3200, 3300)



[Dimensions](#) | [Specifications](#) | [Basic Load Ratings](#) | [Abutment and Fillet Dimensions](#)

Dimensions

d - Bore	35.00 mm 1.378 in
D - Outer Diameter	72.00 mm 2.8346 in
C - Ring Width	27.00 mm 1.0630 in
Contact Angle	30 °

Specifications

Features	Shields
Ball Type	STEEL



Cage Type	Pressed
Cage Material	Steel
Bearing Weight	0.39 Kg 0.858 lb
Design Units	METRIC

Basic Load Ratings

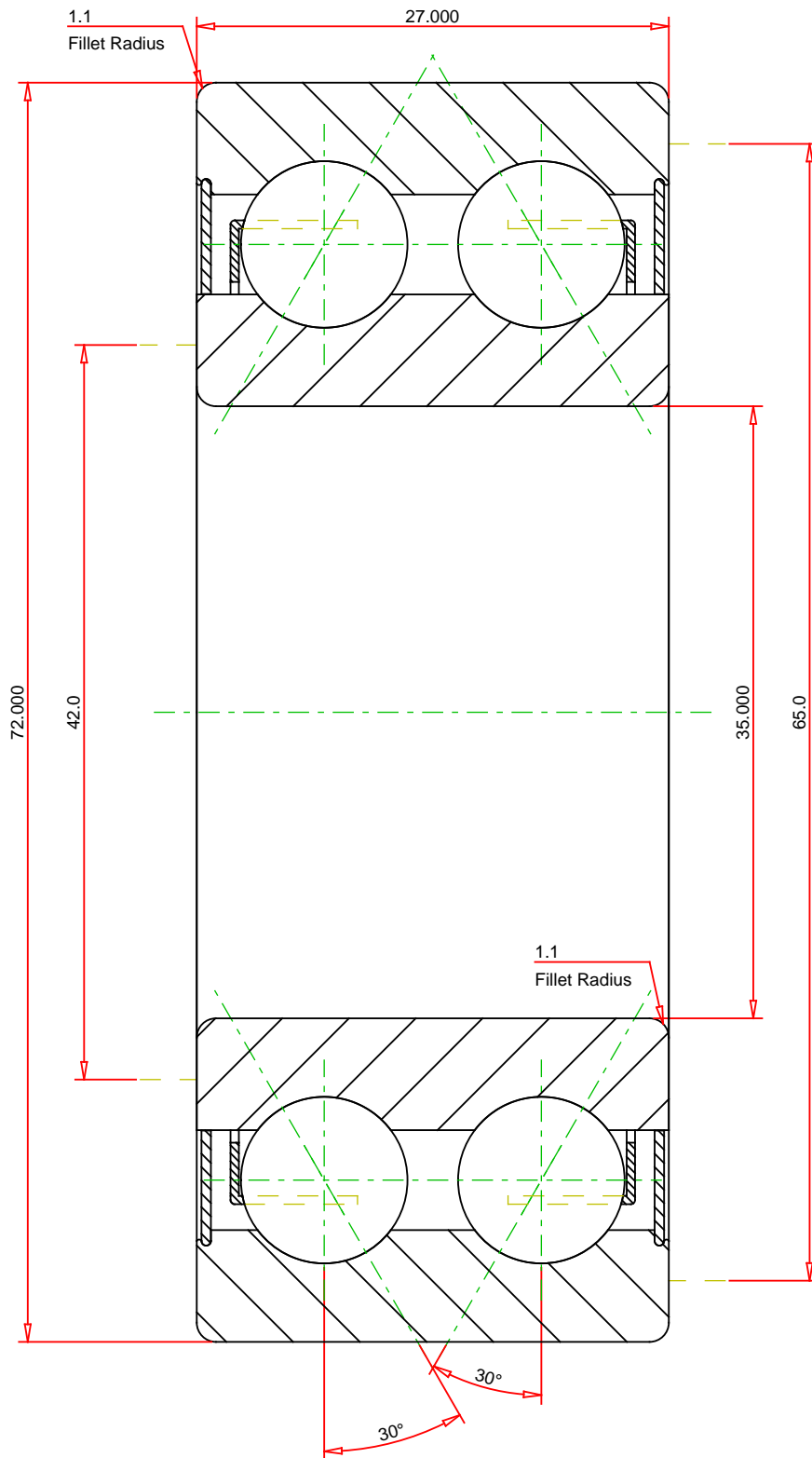
C0 - Static Radial Rating	23700 N 5327 lbf
C1 ISO - Dynamic Radial Rating	30500 N 6855 lbf

Abutment and Fillet Dimensions

R - Inner Ring "To Clear" Radius ¹	1.10 mm 0.043 in
r - Outer Ring "To Clear" Radius ²	1.10 mm 0.043 in
da - Inner Ring Backing Diameter	42.0 mm 1.654 in
Da - Outer Ring Backing Diameter	65.00 mm 2.5590 in

¹ Maximum housing fillet radius that bearing corners will clear.

² Maximum shaft fillet radius that bearing corners will clear.



METRIC UNITS

Number of Balls Per Row	10
Bearing Weight	0.390 kg

TIMKEN®

THE TIMKEN COMPANY
NORTH CANTON, OHIO USA

3207 AJ/ZZ	
Timken® Double Row Angular Contact Ball Bearings (3200, 3300)	
Dynamic Load Rating	30500 N
Static Load Rating	23700 N

Every reasonable effort has been made to ensure the accuracy of the information contained in this writing, but no liability is accepted for errors, omissions or for any other reason.

FOR DISCUSSION ONLY